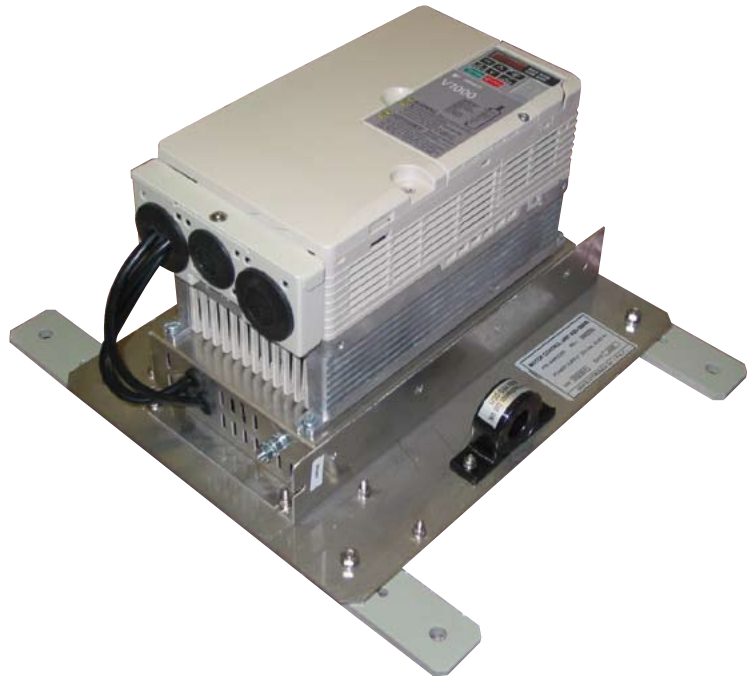


## ANTENNA SUPPLY UNIT: ASU-50000

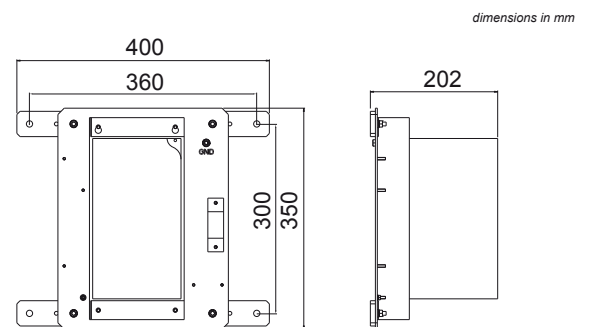
The ASU-50000 unit provides voltage and current output for motor unit of antenna series ASX-21xx. It converts input mains supply AC single phase to three-phase for motor supply, adjusting frequency to control rotation speed. The internal inverter is based on a vector control system, giving outstanding speed and torque performance and fast response.

The unit provides 2 contact closures for connection with external systems as programmable input to control start and stop of rotation and selection of rotation speed between two preprogrammed values.



### Main features:

- Input voltage single phase 200-240 VAC (-15%, +10%)
- Input frequency 47-63 Hz
- Three-phase output
- Rated motor capacity more than 4 kW (>16A)
- 1:100 speed control range
- Online autotuning
- Built-in filter
- Short-term overload capacity up to 150% for one minute
- Improved torque/current limiting during start-up and deceleration
- Self-diagnostics for reliable operation
- Front panel for unit status and local manual control
- Wall installation
- Environmental conditions compliant with IEC-60945, protected environment



Weight 10 Kg

